

Tuffline

FERTILIZER SPREADER OPERATOR'S MANUAL

MODEL SF300T



- Please read this manual carefully before operating the equipment

WARRANTY

Monroe-Tufline Manufacturing Co., Inc. ("Monroe-Tufline") warrants this product to be free from defect in material and workmanship. Except as otherwise set forth below, the duration of this Warranty shall be for NINETY(90) DAYS COMMENCING ON THE DATE OF DELIVERY OF THE PRODUCT TO THE ORIGINAL PURCHASER.

Under no circumstances will this Warranty apply in the event that the product, in the good faith opinion of Monroe-Tufline, has been subjected to improper operation, improper maintenance, misuse, or an accident. This Warranty does not apply in the event that the product has been materially modified or repaired by someone other than Monroe-Tufline, a Monroe-Tufline authorized dealer or distributor, and/or a Monroe-Tufline authorized service center. This Warranty does not cover normal wear or tear, or normal maintenance items. This Warranty also does not cover repairs made with parts other than those obtainable through Monroe-Tufline.

This Warranty is extended solely to the original purchaser of the product. Should the original purchaser sell or otherwise transfer this product to a third party, this Warranty does not transfer to the third party purchaser in any way. There are no third party beneficiaries of this Warranty.

Monroe-Tufline makes no warranty, express or implied, with respect to cutting edges, shanks, tires or other parts or accessories not manufactured by Monroe-Tufline. Warranties for these items, if any, are provided separately by their respective manufacturers.

Monroe-Tufline's obligation under this Warranty is limited to, at Monroe-Tufline's option, the repair or replacement, free of charge, of the product if Monroe-Tufline, in its sole discretion, deems it to be defective or in noncompliance with this Warranty. Such parts shall be provided by the selling dealer to the user during regular working hours. **If requested, the product must be returned to Monroe-Tufline with proof of purchase within thirty (30) days after such defect or noncompliance is discovered or should have been discovered, routed through the dealer and distributor from whom the purchase was made, transportation charges prepaid.** Monroe-Tufline shall complete such repair or replacement within a reasonable time after Monroe-Tufline receives the product. **THERE ARE NO OTHER REMEDIES UNDER THIS WARRANTY. THE REMEDY OF REPAIR OR REPLACEMENT IS THE SOLE AND EXCLUSIVE REMEDY UNDER THIS WARRANTY.**

THERE ARE NO WARRANTIES WHICH EXTEND BEYOND THE DESCRIPTION ON THE FACE OF THIS WARRANTY. MONROE-TUFLINE MAKES NO OTHER WARRANTY, EXPRESS OR IMPLIED, AND MONROE-TUFLINE SPECIFICALLY DISCLAIMS ANY IMPLIED WARRANTY OF MERCHANTABILITY AND/OR ANY IMPLIED WARRANTY OF FITNESS FOR A PARTICULAR PURPOSE (EXCEPT WHERE PROHIBITED BY LAW).

Monroe-Tufline shall not be liable for any incident or consequential losses, damages or expenses, arising directly or indirectly from the product, whether such claim is based upon breach of contract, breach of warranty, negligence, strict liability in tort or any other legal theory. Monroe-Tufline's obligation under this warranty, to the extent allowed by law, is in lieu of all warranties, implied or expressed for a particular purpose and any liability for incidental and consequential damages with respect to the sale or use of the items warranted. Such incidental and consequential damages shall include but not be limited to: transportation charges other than normal freight charges; loss of crops or any other loss of income; rental of substitute equipment, expenses due to loss, damage, detention or delay in the delivery of equipment or parts resulting from acts beyond the control of Monroe-Tufline.

This Warranty is subject to any existing conditions of supply which may directly affect Monroe-Tufline's ability to obtain materials or manufacture replacement parts.

No agent, representative, dealer, distributor, serviceperson, salesperson, or employee of any company, including without limitation, Monroe-Tufline, its authorized dealers, distributors, and service centers, is authorized to alter, modify, or enlarge this Warranty.

This Warranty is subject to the warranty registration being submitted. For warranty services, contact your selling dealer.

WARRANTY FOR PARTS

Monroe-Tufline Manufacturing Co., Inc. ("Monroe-Tufline") warrants its parts to be free from defect in material and workmanship for a period of ninety (90) days from the date of delivery of the part(s) to the original purchaser.

Replacement or repair parts installed in the equipment covered by warranty are warranted for ninety (90) days from date of purchase of such part or to the expiration of the applicable new equipment warranty period, whichever occurs later.

Under no circumstances will this Warranty apply in the event that the product the parts are installed in, in the good faith opinion of Monroe-Tufline, has been subjected to improper operation, improper maintenance, misuse, or an accident. This Warranty does not cover normal wear or tear, or normal maintenance items.

This Warranty is extended solely to the original purchaser of the product. Should the original purchaser sell or otherwise transfer this product to a third party, this Warranty does not transfer to a third party purchaser in any way. There are no third party beneficiaries of this Warranty.

Monroe-Tufline's obligation under this Warranty is limited to, at Monroe-Tufline's option, the repair or replacement, free of charge, of the product if Monroe-Tufline, in its sole discretion, deems it to be defective or in non-compliance with this Warranty. The selling dealer shall provide such parts to the user during regular working hours. **If requested, the product must be returned to Monroe-Tufline with proof of purchase within thirty (30) days after such defect or noncompliance is discovered or should have been discovered, routed through the dealer and distributor from whom the purchase was made, transportation charges prepaid.** Monroe-Tufline shall complete such repair or replacement within a reasonable time after Monroe-Tufline receives the product. **THERE ARE NO OTHER REMEDIES UNDER THIS WARRANTY. THE REMEDY OF REPAIR OR REPLACEMENT IS THE SOLE AND EXCLUSIVE REMEDY UNDER THIS WARRANTY.**

THERE ARE NO WARRANTIES WHICH EXTEND BEYOND THE DESCRIPTION ON THE FACE OF THIS WARRANTY. MONROE-TUFLINE MAKES NO OTHER WARRANTY, EXPRESS OR IMPLIED, AND MONROE-TUFLINE SPECIFICALLY DISCLAIMS ANY IMPLIED WARRANTY OF MERCHANTABILITY AND/OR ANY IMPLIED WARRANTY OF FITNESS FOR A PARTICULAR PURPOSE (EXCEPT WHERE PROHIBITED BY LAW).

Monroe-Tufline shall not be liable for any incidental or consequential losses, damages or expenses, arising directly or indirectly from the product, whether such claim is based upon breach of contract, breach of warranty, negligence, strict liability in tort or any other legal theory. Without limiting the generality of the foregoing, Monroe-Tufline specifically disclaims any damages relating to (i) lost profits, business, revenues or goodwill; (ii) loss of crops; (iii) loss because of delay in harvesting; (iv) any expense or loss incurred for labor, supplies, substitute machinery or rental; or (v) any other type of damage to property or economic loss.

This Warranty is subject to any existing conditions of supply which may directly affect Monroe-Tufline's ability to obtain materials or manufacture replacement parts.

No agent, representative, dealer, distributor, service person, salesperson, or employee of any company, including without limitation, Monroe-Tufline, its authorized dealers, distributors, and service centers, is authorized to alter, modify, or enlarge this Warranty.

For warranty services, contact your selling dealer.

Owner Registration:

Name _____ Address _____
Dealer Name _____ City/State/Zipcode _____
Date of Purchase _____ Model Number _____
Comments _____

General Safety Regulations

Read this manual carefully before operating the equipment.

In addition to the safety regulations given in this manual it is imperative that the general rules for safety and hygiene at work be respected at all times, as well as the public highway code.

- Before commencing work with the machine it is necessary to become familiar with the operation of the controls and operating devices.
- Before switching on the atv make sure that all the protection equipment is correctly installed.
- Do not exceed the maximum load capacity (600 lbs) of fertilizer recommended by the manufacturer.
- Do not use any equipment not recommended by the manufacturer, and do not modify the machine or its components.

Notice

Disengagement lever is located in the tongue for shipping purposes only. To assemble, remove bolt from gear box disengagement lever. Put lever into lever holder. Line the hole in the handle with the bolt. Reassemble nut and bolt. Do not over tighten. Handle needs to move loosely.

Safety Decals

▲ WARNING



TO PREVENT SERIOUS INJURY OR DEATH

- Do not operate or work on this machine without reading and understanding the operator's manual.
- Avoid unsafe operation and maintenance.
- If manual is lost, contact your dealer or Mfg. at (1-800-637-5943) for a new one.

14167

▲ WARNING



NO RIDERS ON IMPLEMENTS!

14942

MEMBER



FEMA
FARM EQUIPMENT
MANUFACTURERS
ASSOCIATION

▲ NOTICE

Thoroughly rinse machine after use with fertilizers. Lubricate all moving parts after every use.

14633

▲ WARNING



OVERTURN HAZARD — To Prevent Serious Injury or Death

- Do not operate at high speeds.
- Do not turn sharply.
- Do not operate on unlevel ground.
- Do not allow riders
- Keep bystanders and children clear when operating.

14168

▲ NOTICE

TO PREVENT EQUIPMENT DAMAGE

- Read owner's manual and return warranty registration card.
- Tuffline's ATV series implements are designed for all-terrain utility vehicles and your lawn and garden tractors only.
- Operate at low speed. In low gear and be careful not to overheat your power source.
- Sharp turns and high speeds can cause stress to your unit and power source.
- Tuffline's ATV implements are not designed for high speed transport on public roads.
- Retighten all bolts & check implement prior to each operation.

14159



MOSSY OAK STAND GROUND **Tuffline**

USE ON MODELS
ATVB, ATVD, ATVLR, ATVG,
SB SERIES, UC
USE WITH TMO-1A OR TMO-1B

SHEET # 2
SHEET PN: 14634
EFFECTIVE 11/02

▲ WARNING




Keep hands, fingers, and feet clear during adjustment and operation. Injury or dismemberment may occur if not careful!

12588

▲ WARNING




FALLING BLADE HAZARD

- Can cause serious injury or death.
- Keep hands and feet from under raised blade.

12595

A Custom Application of

CAL Sport[®]
MARKING SYSTEMS
BY FIREBALL DECALS

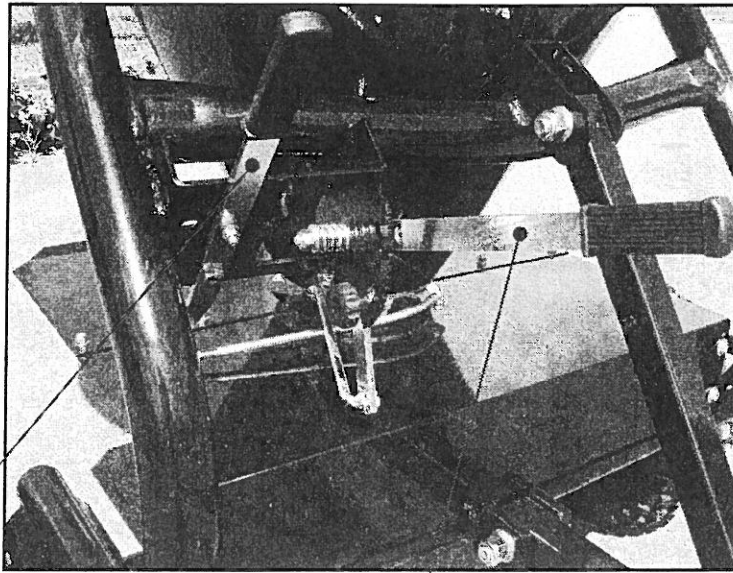
PATENTED
U.S. PATENT #6159569
OTHER U.S. & FOREIGN PATENTS PENDING

This Layout & Design Is Copyrighted By Fireball Decals.
© Copyright 2003-All Rights Reserved.

Safety rules and prevention of accidents

- The operator of this fertilizer spreader must be competent and being good physical and visual conditions and must be able to co-ordinate the different functions. Moreover he must apply the established rules and act with the necessary precaution while carrying out a job, so that he does not expose himself or other people to danger.
- The operator must put the instructions given in this manual into practice and make sure all persons understand their responsibilities.
- The operator must act only after being certain and sure on how to use the entire equipment.
- He must not neglect the servicing of the machine.
- During the job, the operator must be able to control the machine and oversee the area where the machine is operating.
- It is recommended to wear clothing which has no loose parts that can get entangled in the machine.
- Do not make any emergency repairs on the machine in order to start or finish a job.
- Check that the instruction/warning plates and decals are clean and easily seen and that the safety devices are in place and well locked.
- Do not drink alcohol or take medicines before or during work or when carrying out maintenance/service work.
- Always use gloves and if necessary safety eye glasses during servicing of the fertilizer machine.
- Do not clean or oil parts of the fertilizer machine while in motion/use.
- Check the conditions of the bolts and tighten them adequately before starting work.
- Check if there are foreign objects in the hopper and be careful not to drop the bag, which contains the fertilizer, into the hopper.
- Do not carry objects that could slip out of your pockets or your top pockets while leaning over the machine.
- All necessary maintenance must be carried out when the fertilizer spreader machine is turned off.

Adjustment of the fertilizer spreading

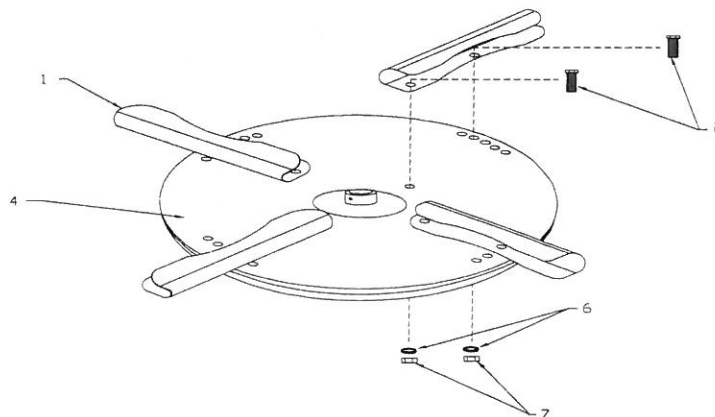


Control lever to direct the spreading

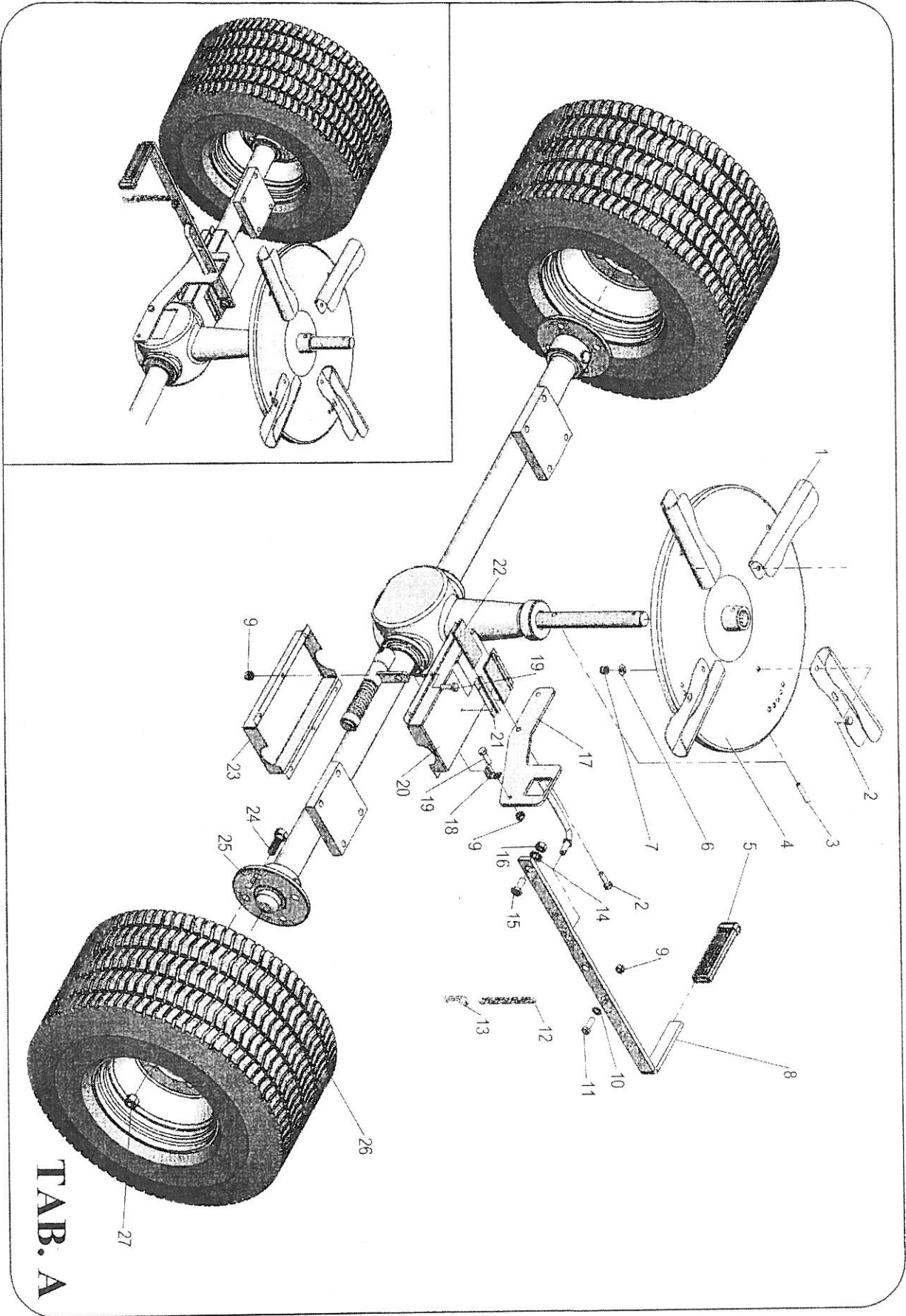
Control lever to regulate the dosage by means of mechanical lock

For a larger spreading distance you can adjust the veins of the disc:

Loosen the bolt positioned near the center of the disc;
Remove the outer bolt which attaches the vein;
Move the vein toward the desired position;
Reassemble the bolt and tighten nut firmly;
Tighten all other bolts.



The same operation must be repeated with the other three veins, remembering to maintain the same order for all of them



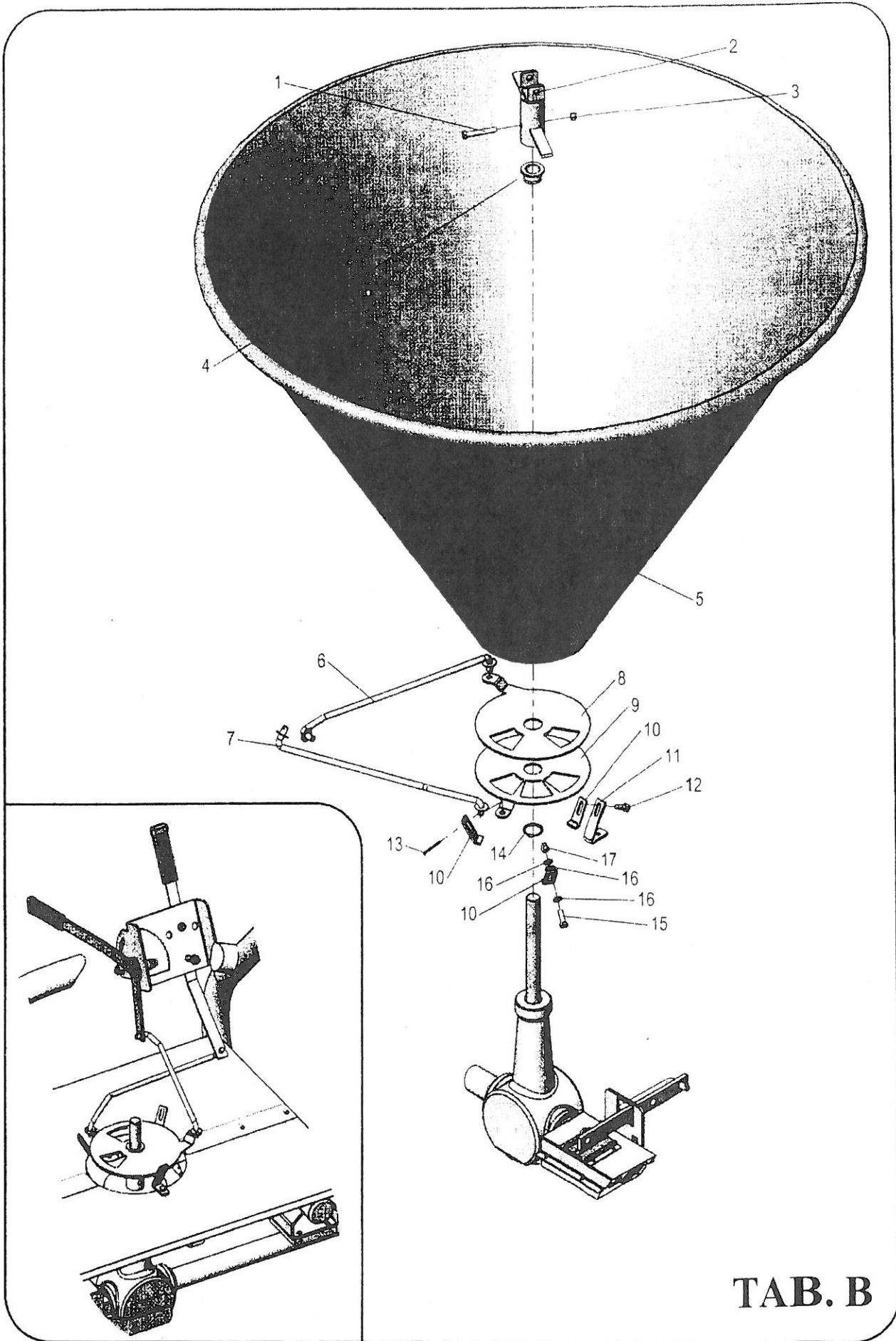
TAB. A

Tufline

FERTILIZER SPREADER SF300T

TABLE NR°	DESCRIPTION
A	Axle with disc

NO.	PARTS LIST	QTY	Part #
1	Vein	4	TUF01A
2	Galvanized Screw TE M8X20 ZN	10	TUF02A
3	Galvanized Pin 8x40 ZN	1	TUF03A
4	Vein Holder Disc	1	TUF04A
5	Handle Grip	1	TUF05A
6	Galvanized Washer M8 ZN	8	TUF06A
7	Self-Locking Nut M8	8	TUF07A
8	Disengagement Lever	1	TUF08A
9	Self-Locking Nut M6	8	TUF09A
10	Galvanized Washer M6 ZN	1	TUF010A
11	Galvanized Screw TE M6x25 ZN	1	TUF011A
12	Chain	1	TUF012A
13	Small 'R' Split Pin D.3	1	TUF013A
14	Galvanized Washer M10 ZN	1	TUF014A
15	Galvanized Screw TE M10x30 ZN	1	TUF015A
16	Self-Locking Nut M10	1	TUF016A
17	Gearbox Disengagement Lever Holder	1	TUF017A
18	Gearbox Box Holder	1	TUF018A
19	Galvanized Screw TE M6x15 ZN	7	TUF019A
20	Upper Punched Disengagement Housing	1	TUF020A
21	Brush Holder	2	TUF021A
22	Brush	2	TUF022A
23	Lower Disengagement Housing	1	TUF023A
24	Galvanized Screw TE M12x35 ZN	8	TUF024A
25	Axle	1	TUF025A
26	Wheel with Rim	2	TUF026A
27	Self-Locking Nut M12	8	TUF027A



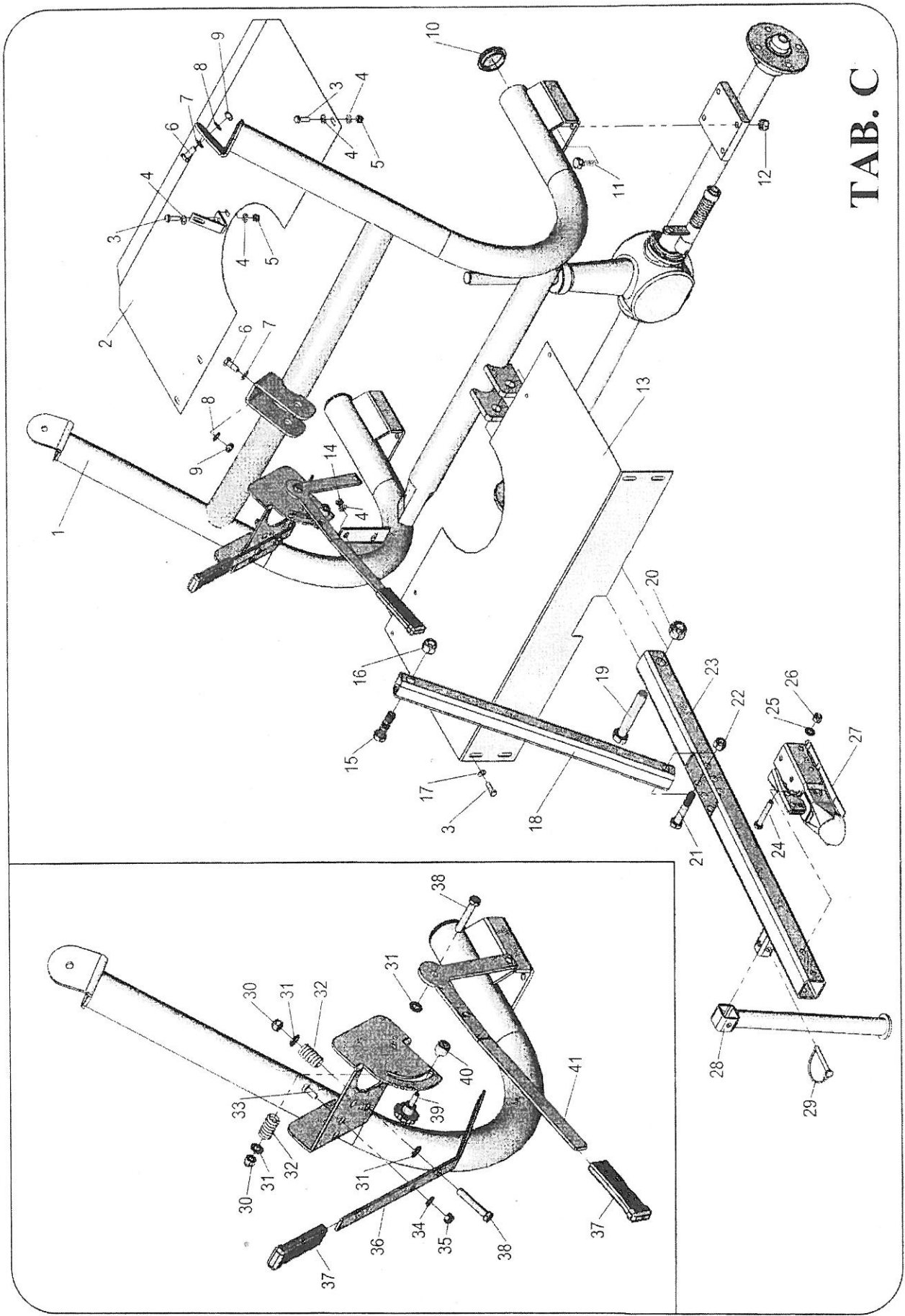
TAB. B

Tufline

FERTILIZER SPREADER SF300T

TABLE NR°	DESCRIPTION
B	Hopper with Discs

NO.	PARTS LIST	QTY	Part #
1	Galvanized Screw TE M8x55 ZN	1	TUF01B
2	Agitator	1	TUF02B
3	Self-Locking Nut M8	1	TUF07A
4	Agitator Bushing	1	TUF04B
5	Hopper	1	TUF05B
6	L.H. Connecting Rod	1	TUF06B
7	R.H. Connecting Rod	1	TUF07B
8	Upper Opening Ring	1	TUF08B
9	Lower Opening Ring	1	TUF09B
10	Ring Holder	3	TUF010B
11	Carter Holder	1	TUF011B
12	Galvanized Screw TE 8x25 ZN	1	TUF012B
13	Split Pin 3x20	4	TUF013B
14	Snap Ring	1	TUF014B
15	Galvanized Screw TE 8x20 ZN	2	TUF02A
16	Galvanized Washer M8 ZN	9	TUF06A
17	Galvanized Nut M8 ZN	3	TUF017B



TAB. C



FERTILIZER SPREADER SF300T

TABLE NR°	DESCRIPTION
C	FRAME WITH BEAM

NO.	PARTS LIST	QTY	Part #
1	Frame	1	TUF01C
2	Rear Guard	1	TUF02C
3	Galvanized Screw TE M8x20 ZN	9	TUF02A
4	Galvanized Washer M8 ZN	14	TUF06A
5	Self-Locking Nut M8	5	TUF07A
6	Galvanized Screw TE M10x25 ZN	3	TUF06C
7	Galvanized Washer M10 ZN	3	TUF014A
8	Galvanized Washer M10 ZN	3	TUF014A
9	Nut M10	3	TUF09C
10	Rubber Cap	2	TUF010C
11	Galvanized Screw TE M10x25 ZN	8	TUF06C
12	Self-Locking Nut M10	8	TUF016A
13	Front Guard	1	TUF013C
14	Galvanized Nut M8 ZN	4	TUF017A
15	Galvanized Screw TE M18x80 ZN	1	TUF015C
16	Self-Locking Nut M18	1	TUF016C
17	Galvanized Washer M8 ZN	4	TUF06A
18	Height Adjustment Rod	1	TUF018C
19	Galvanized Screw TE M20x100 ZN	1	TUF019C
20	Self-Locking Nut M20	1	TUF020C
21	Galvanized Screw TE M14x70 ZN	1	TUF021C
22	Self-Locking Nut M14	1	TUF022C
23	Tongue	1	TUF023C
24	Galvanized Screw TE M10x70 ZN	2	TUF024C
25	Galvanized Washer M10 ZN	2	TUF014A
26	Self-Locking Nut M10	2	TUF016A
27	1-7/8" Ball Hitch	1	15008
28	Standing	1	TUF028C
29	Pin 0 10	1	TUF029C
30	Self-Locking Nut M10	2	TUF016A
31	Galvanized Washer M10 ZN	4	TUF014A
32	Small Spring	2	TUF032C
33	Galvanized Hexagonal Screw 8x20 ZN	1	TUF033C
34	Galvanized Washer M8 ZN	1	TUF06A
35	Self-Locking Nut M8	1	TUF07A
36	L.H. Lever	1	TUF036C
37	Handle Grip	2	TUF05A
38	Galvanized Screw TE M10x60 ZN	2	TUF038C
39	Pommel M8x15	1	TUF039C
40	Lever Stop	1	TUF040C
41	R.H. Lever	1	TUF041C

PULL TYPE SPREADER

SPREADING CHART FOR SEED

MATERIAL	FORWARD SPEED (MPH)	SPREAD WIDTH IN FEET	QUANTITY TO BE SPREAD IN POUNDS PER ACRE AT CONTROL LEVER SETTING INDICATED							
			.5	1.0	2.0	3.0	4.0	5.0	6.0	7.0
Alfalfa & Clover	5.0	16	18	65	158					
	7.5	25	8	27	66	130				
	10.0	26	6	20	48	98				
	12.5	26	5	16	38	78				
Barley	5.0	17					120	143	202	248
	7.5	27					50	60	85	104
	10.0	28					36	43	60	75
	12.5	28					29	34	48	60
Bluegrass & Bermuda Grass	5.0	11			34	120				
	7.5	17			11	25	62			
	10.0	18			9	23	57			
	12.5	18			7	18	45			
Brome Grass	5.0	6			10	16	25			
	7.5	9			4	6	11	15		
	10.0	10			3	5	7	10		
	12.5	10			2	4	6	8		
Fescue & Ryegrass	5.0	11			15	45	98			
	7.5	17			6	19	41	65		
	10.0	18			5	14	30	48		
	12.5	18			4	11	24	38		
Lespedeza	5.0	19	5.8	15	30					
	7.5	30	2.5	6.3	12.6	25				
	10.0	32	2	5	9	18				
	12.5	32	1.6	4	7.2	14.4				
Oats	5.0	17				60	95	175		
	7.5	27				25	40	74	142	
	10.0	28				18	29	52	104	
	12.5	28				14	22	42	83	
Orchard Grass	5.0	7			18.3	28.3				
	7.5	11			7.4	11.6	17.4			
	10.0	12			5.5	8.7	13.0			
	12.5	12			4.4	7.0	10.5			
Rice	5.0	20				116	186	338		
	7.5	31				49	79	142		
	10.0	33				35	56	101		
	12.5	33				28	45	81		
Rye	5.0	20					115	181	248	303
	7.5	31					48	76	104	127
	10.0	33					35	55	75	91
	12.5	33					28	44	60	73
Sudan Grass	5.0	20			50	78	123			
	7.5	31			21	33	52	86		
	10.0	33			15	24	37	62		
	12.5	33			12	19	30	50		
Soybeans	5.0	24					175	200	227	
	7.5	38					72	84	95	112
	10.0	40					51	60	68	80
	12.5	40					41	48	54	64
Wheat	5.0	20				93	148	202	265	
	7.5	31				39	62	84	112	
	10.0	33				28	45	60	80	
	12.5	33				22	36	48	64	

NOTE: Material can vary as to density, foreign material content, particle size and shape. These factors will affect both spread width and flow rate. Spread width changes with speeds below 10 MPH